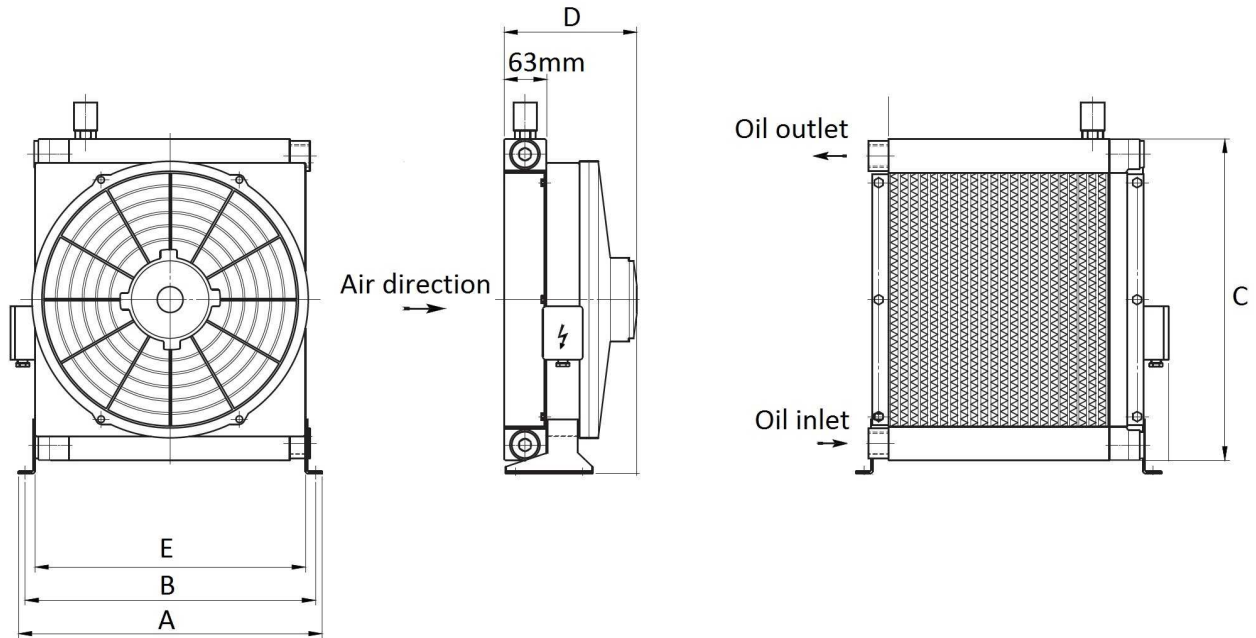


GreenLine Spare parts

GreenLine Heat exchangers

## Heat exchangers oil/air with thermostat

Page: 1/1



Part n°	R1	Voltage (V)	Power (W)	Min. flow (l/min)	Max. flow (l/min)	Cap. (l)	Air flow (m <sup>3</sup> /h)	P(IP)	Current	Noise level db(A)	A	B	C	D	E
<b>INTER21012V</b>	1" BSP	12 VDC	120	30	100	1,7	1.600	68	10	75	284	258	322	235	296
<b>INTER21024V</b>	1" BSP	24 VDC	120	30	100	1,7	1.600	68	5	75	284	258	322	235	296
<b>INTER25012V</b>	1" BSP	12 VDC	168	30	140	1,7	1.800	68	14	75	371	345	372	235	377
<b>INTER25024V</b>	1" BSP	24 VDC	168	30	140	2	1.800	68	7	75	371	345	372	235	377
<b>INTER39024V</b>	1" BSP	24 VDC	204	50	200	5	2.600	68	8.5	83	461	435	480	250	457

Maximum Working Pressure: 30 Bar  
 Continuous working pressure 10 - 25 Bar